

Parts and Diagrams

3

| | |
|---|------|
| Copier Stand & Touch Screen (hp designjet copier cc800ps) | 3-2 |
| Copier Stand & Touch Screen (hp designjet 815mfp) | 3-4 |
| Copier Stand & Touch Screen (hp designjet scanner 4200) | 3-6 |
| Copier Covers | 3-8 |
| Top Assemblies | 3-10 |
| Drive Assemblies | 3-12 |
| Camera Components and Fan | 3-14 |
| Electronic Boards | 3-16 |
| Sensors | 3-18 |
| Bottom Assemblies | 3-20 |
| Miscellaneous Items | 3-22 |

Copier Stand & Touch Screen (hp designjet copier cc800ps)

| Copier Stand & Touch Screen (hp designjet copier cc800ps) | | | |
|--|-----------------------|-----------------|---|
| Reference on Drawing | HP Part Number | Quantity | Description/Comments |
| 1 | Q1261-60009 | 1 | Stand |
| 2 | Q1261-60022 | 1 | Touch Screen (Exchange Part) |
| 3 | Q1261-60030 | 1 | Nameplate (hp designjet copier cc800ps) |
| 4 | Q1261-60036 | 1 | Paper Guides |
| - | Q1261-60024 | 1 | Hardware Kit |

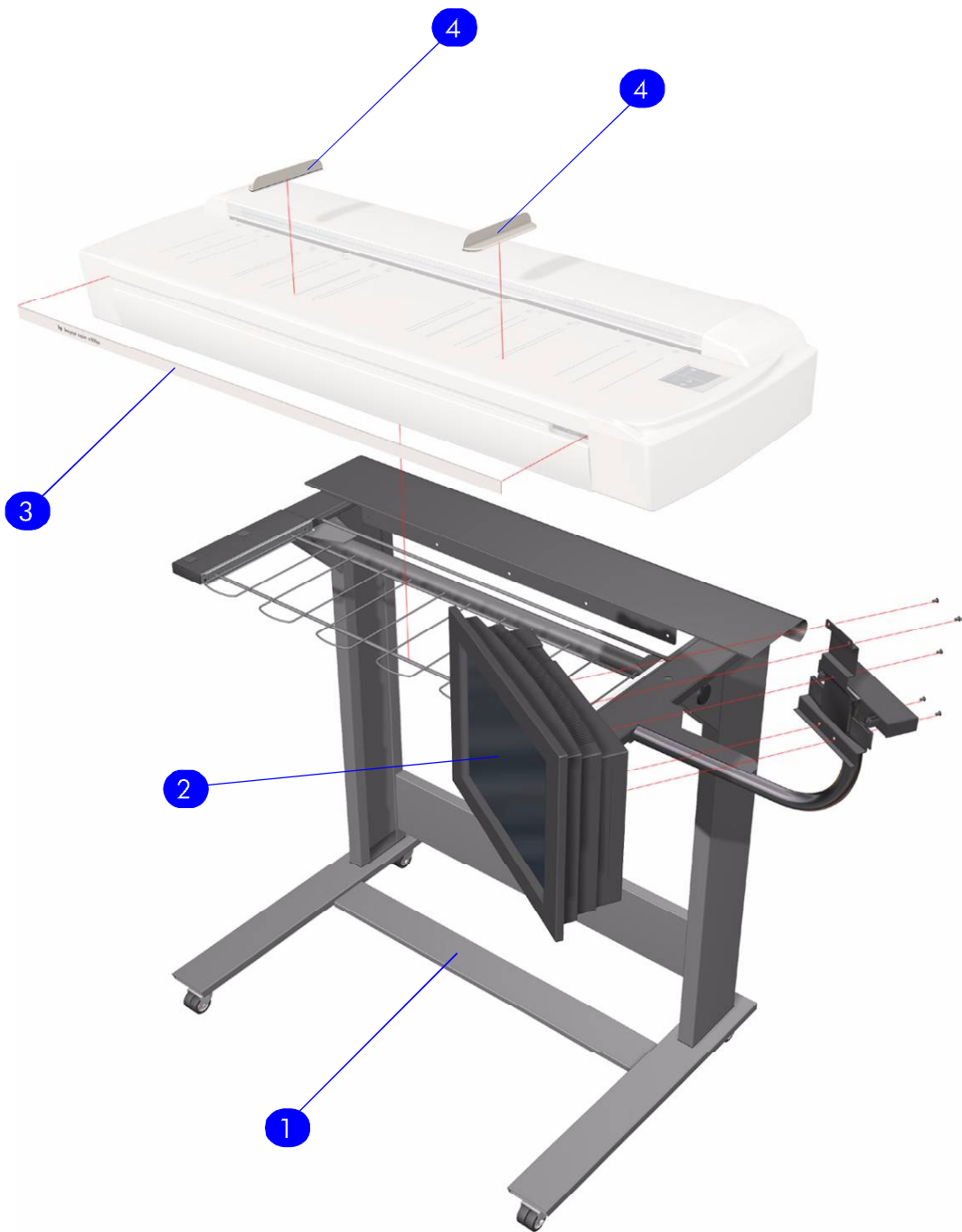


Figure 1: Copier Stand & Touch Screen (hp designjet copier cc800ps)

Copier Stand & Touch Screen (hp designjet 815mfp)

| Copier Stand & Touch Screen (hp designjet 815mfp) | | | |
|---|----------------|----------|---------------------------------|
| Reference on Drawing | HP Part Number | Quantity | Description/Comments |
| 1 | Q1279-60001 | 1 | Stand |
| 2 | Q1278-60008 | 1 | Touch Screen (Exchange Part) |
| 3 | Q1279-60002 | 1 | Nameplate (hp designjet 815mfp) |
| 4 | Q1261-60036 | 1 | Paper Guides |
| 5 | Q1279-60005 | 1 | Keyboard English |
| | Q1279-60006 | 1 | Keyboard French |
| | Q1279-60007 | 1 | Keyboard Italian |
| | Q1279-60008 | 1 | Keyboard German |
| | Q1279-60009 | 1 | Keyboard Spanish |
| | Q1279-60010 | 1 | Keyboard Portuguese |
| | Q1279-60011 | 1 | Keyboard Chinese |
| | Q1279-60012 | 1 | Keyboard Taiwanese |
| | Q1279-60013 | 1 | Keyboard Japanese |
| - | Q1261-60024 | 1 | Hardware Kit |

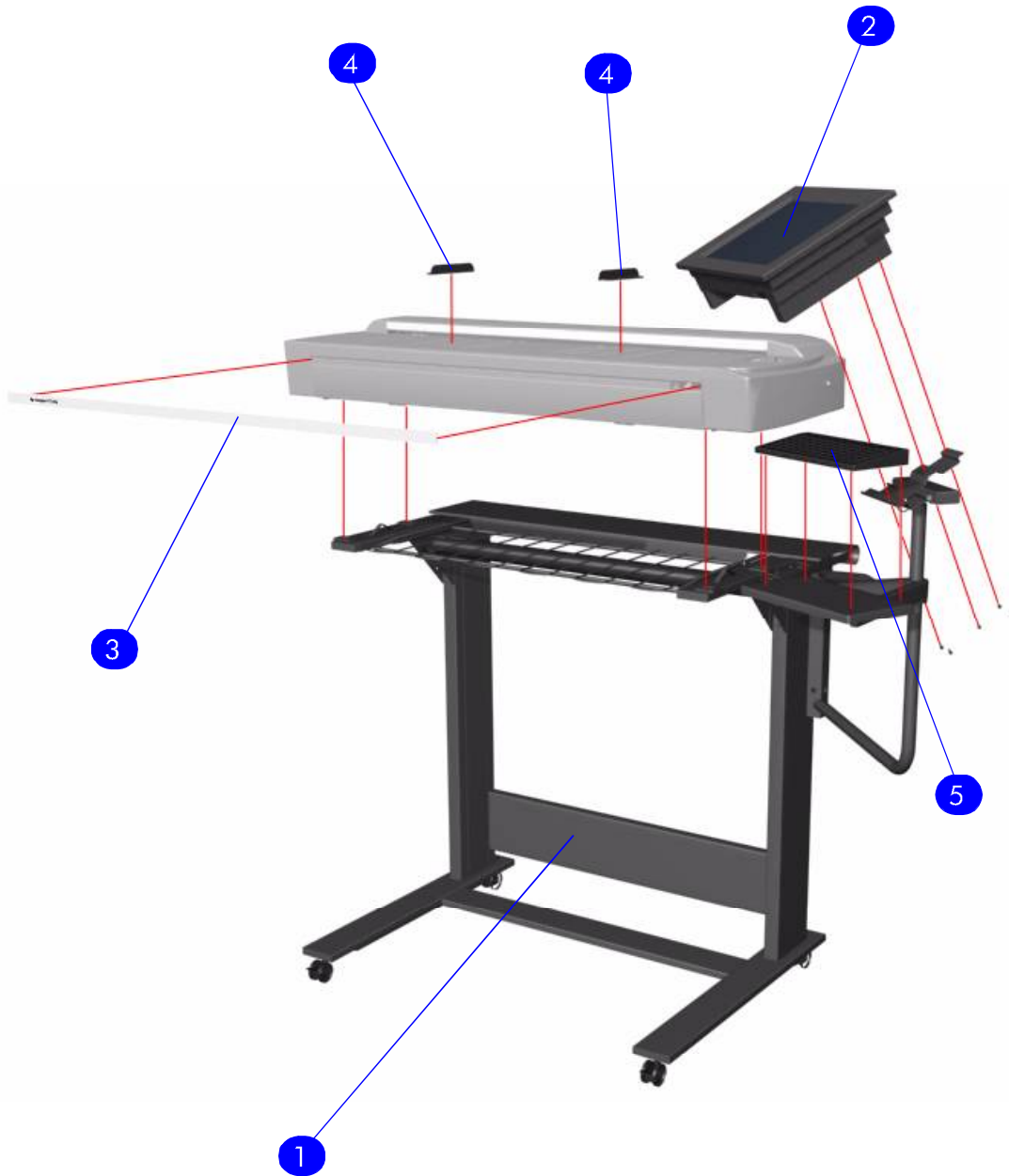


Figure 2: Copier Stand & Touch Screen (hp designjet 815mfp)

Copier Stand & Touch Screen (hp designjet scanner 4200)

| Copier Stand & Touch Screen (hp designjet scanner 4200) | | | |
|---|----------------|----------|---------------------------------------|
| Reference on Drawing | HP Part Number | Quantity | Description/Comments |
| 1 | Q1280-60002 | 1 | Stand |
| 2 | Q1278-60008 | 1 | Touch Screen (Exchange Part) |
| 3 | Q1280-60003 | 1 | Nameplate (hp designjet scanner 4200) |
| 4 | Q1261-60036 | 1 | Paper Guides |
| 5 | Q1279-60005 | 1 | Keyboard English |
| | Q1279-60006 | 1 | Keyboard French |
| | Q1279-60007 | 1 | Keyboard Italian |
| | Q1279-60008 | 1 | Keyboard German |
| | Q1279-60009 | 1 | Keyboard Spanish |
| | Q1279-60010 | 1 | Keyboard Portuguese |
| | Q1279-60011 | 1 | Keyboard Chinese |
| | Q1279-60012 | 1 | Keyboard Taiwanese |
| | Q1279-60013 | 1 | Keyboard Japanese |
| - | Q1261-60024 | 1 | Hardware Kit |

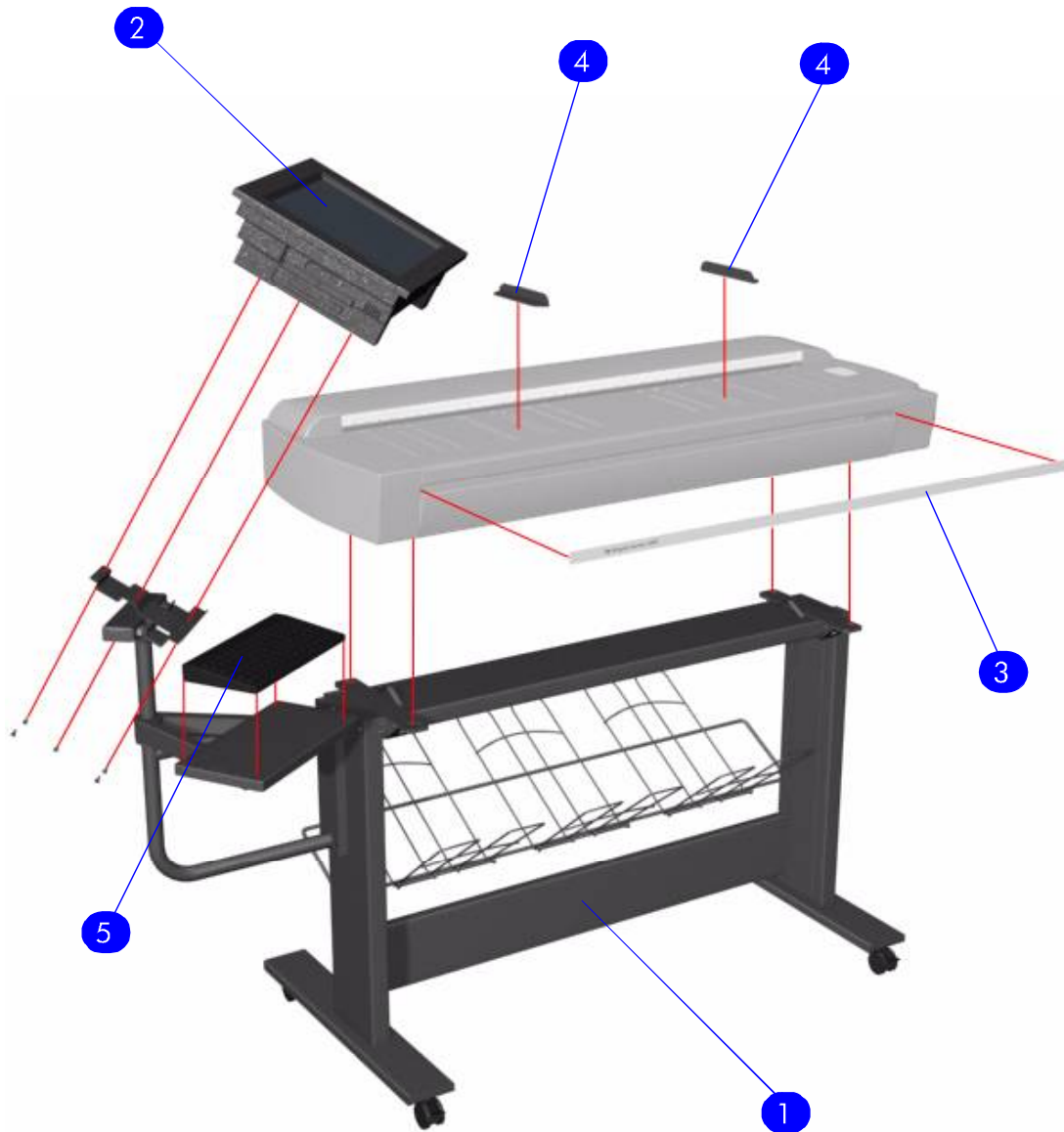


Figure 3: Copier Stand & Touch Screen (hp designjet scanner 4200)

Copier Covers

| Copier Covers | | | |
|----------------------|----------------|----------|---|
| Reference on Drawing | HP Part Number | Quantity | Description/Comments |
| 1 | Q1261-60003 | 1 | Top Cover (hp designjet copier cc800ps) |
| | Q1278-60003 | 1 | Top Cover (hp designjet 815mfp and hp designjet scanner 4200) |
| 2 | Q1261-60004 | 1 | Left Cover (hp designjet copier cc800ps) |
| | Q1278-60004 | 1 | Left Cover (hp designjet 815mfp and hp designjet scanner 4200) |
| 3 | Q1261-60005 | 1 | Right Cover (includes Operator Panel) (hp designjet copier cc800ps) |
| | Q1278-60005 | 1 | Right Cover (includes Operator Panel) (hp designjet 815mfp and hp designjet scanner 4200) |
| 4 | Q1261-60006 | 1 | Rear Cover (hp designjet copier cc800ps) |
| | Q1280-60004 | 1 | Rear Cover (hp designjet scanner 4200) |
| | Q1278-60006 | 1 | Rear-bottom Cover (hp designjet 815mfp) |
| 5 | Q1261-60007 | 1 | Top Profile (hp designjet copier cc800ps) |
| | Q1278-60007 | 1 | Top Profile (hp designjet 815mfp and hp designjet scanner 4200) |

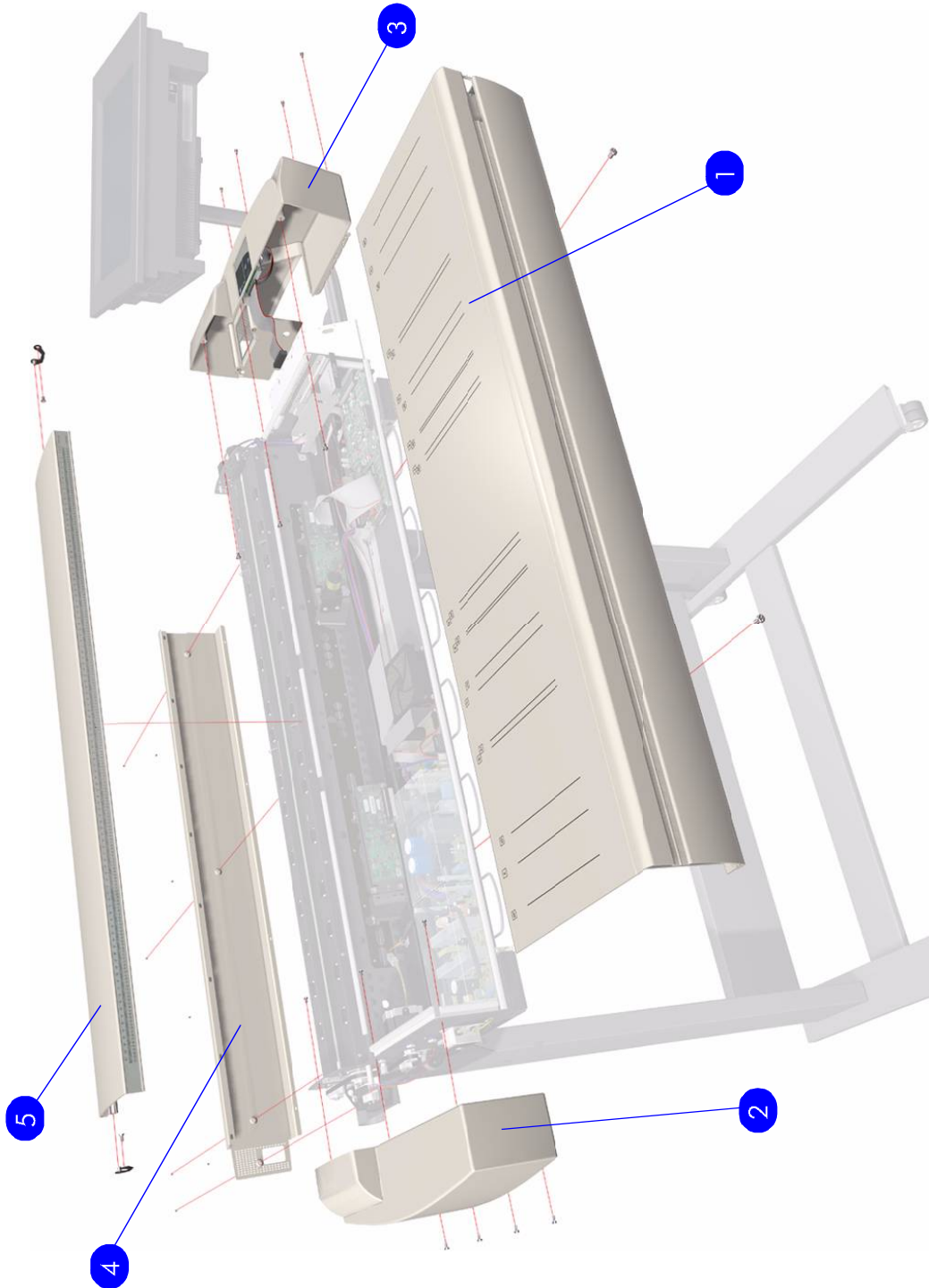


Figure 4: Copier Covers

Top Assemblies

| Top Assemblies | | | |
|----------------------|----------------|----------|--|
| Reference on Drawing | HP Part Number | Quantity | Description/Comments |
| 1 | Q1261-60028 | 1 | Guide Plate (includes the White Background Assembly) (hp designjet copier cc800ps) |
| | Q1278-60010 | 1 | Guide Plate (includes the White Background Assembly) (hp designjet 815mfp and hp designjet scanner 4200) |
| 2 | Q1261-60010 | 1 | Glass Plate |
| 3 | Q1261-60026 | 1 | White Background Assembly |
| 4 | Q1261-60027 | 1 | Fluorescent Lamp |

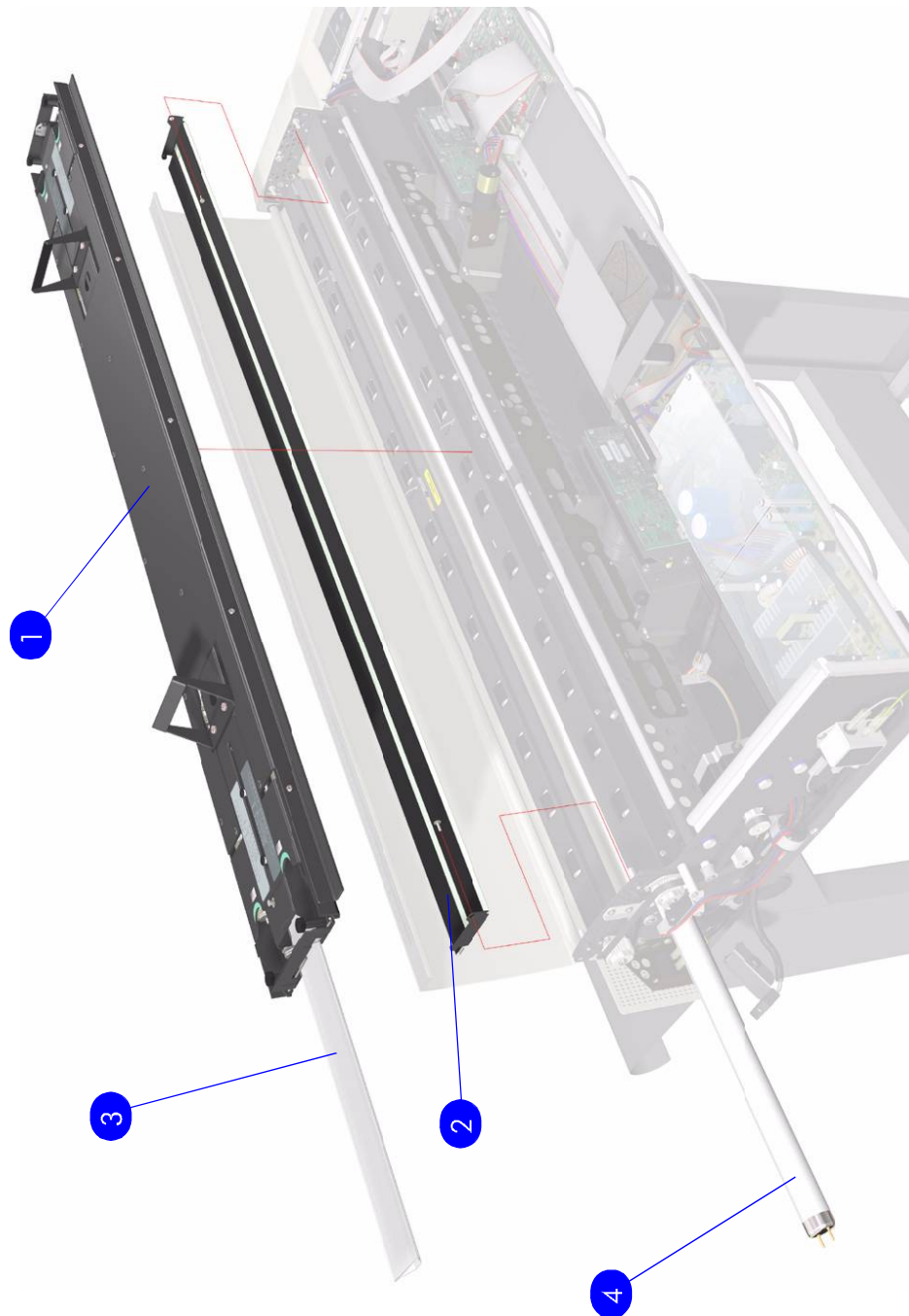


Figure 5: Top Assemblies

Drive Assemblies

| Drive Assemblies | | | |
|----------------------|----------------|----------|------------------------|
| Reference on Drawing | HP Part Number | Quantity | Description/Comments |
| 1 | Q1261-60035 | 1 | Roller Shields |
| 2 | Q1261-60025 | 1 | Rollers |
| 3 | Q1261-60018 | 1 | Stepper Motor Assembly |
| 4 | Q1261-60029 | 1 | Belt |
| 5 | Q1261-60033 | 1 | Media Detector Wires |

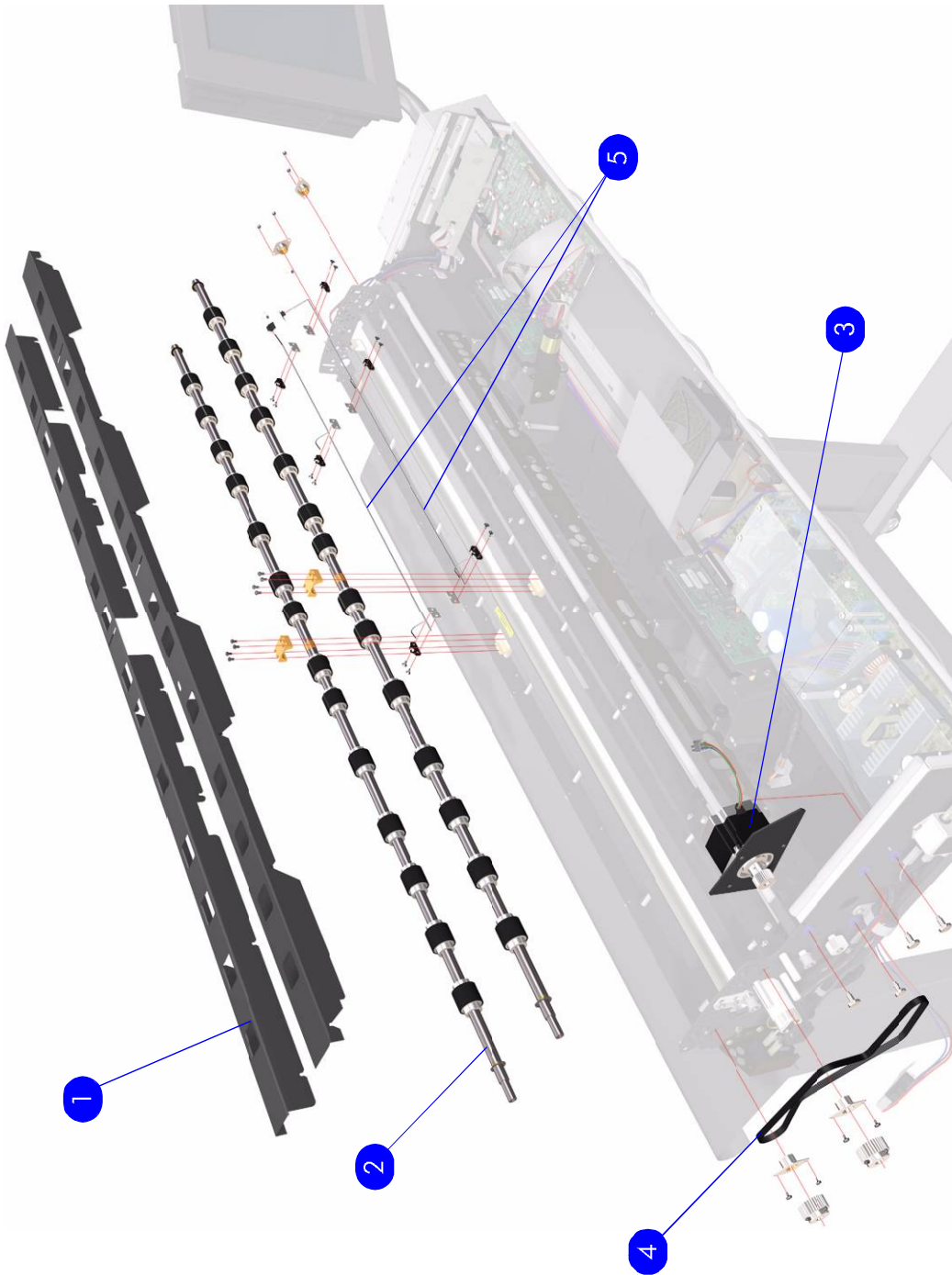


Figure 6: Drive Assemblies

Camera Components and Fan

| Camera Components and Fan | | | |
|---------------------------|----------------|----------|----------------------|
| Reference on Drawing | HP Part Number | Quantity | Description/Comments |
| 1 | Q1261-60034 | 2 | Camera Lens |
| 2 | Q1261-60013 | 2 | Camera Board |
| 3 | Q1261-60019 | 1 | Camera Motor |
| 4 | Q1261-60020 | 1 | Fan |

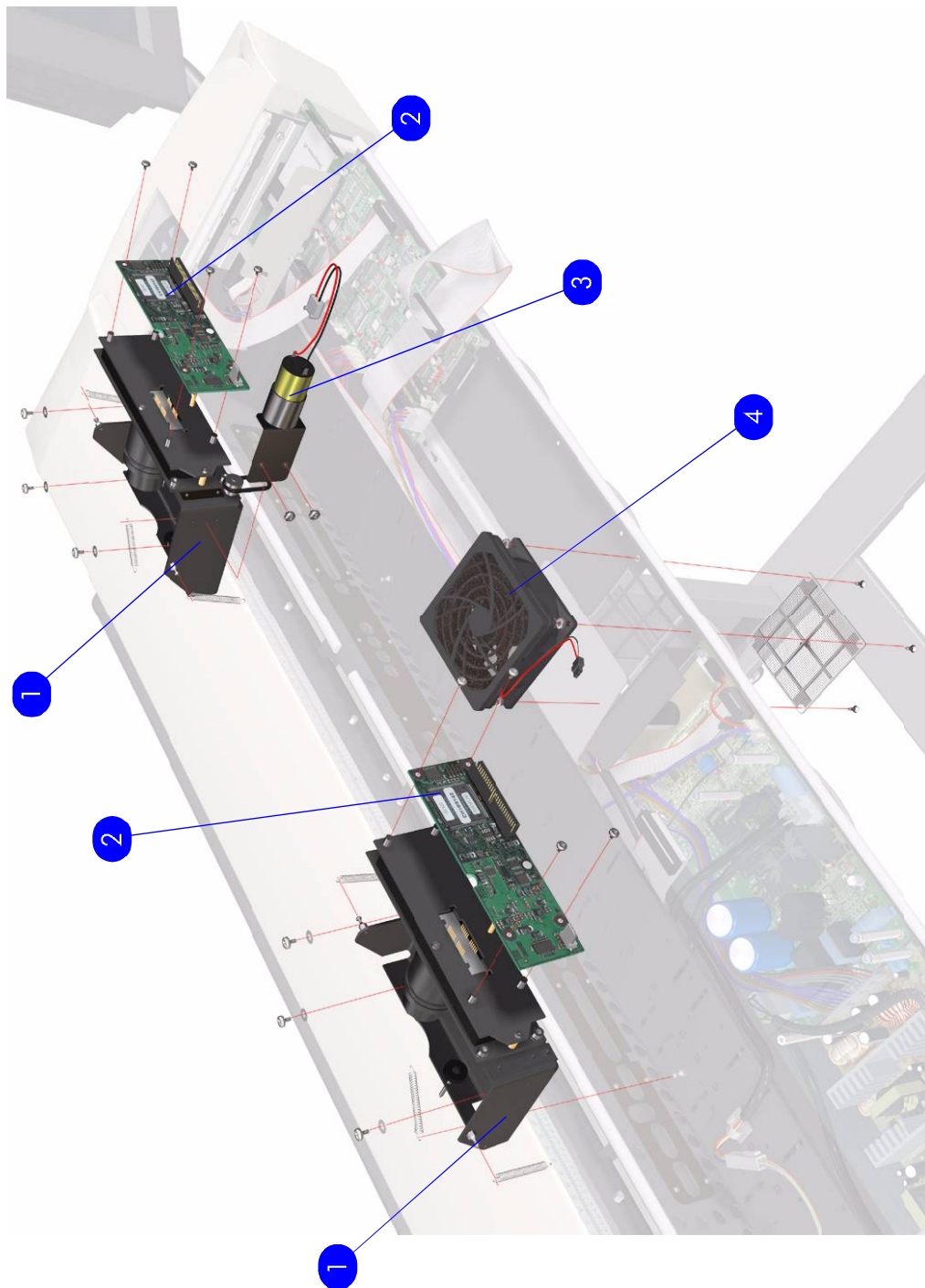


Figure 7: Camera Components and Fan

Electronic Boards

| Electronic Boards | | | |
|----------------------|----------------|----------|--|
| Reference on Drawing | HP Part Number | Quantity | Description/Comments |
| 1 | Q1261-60001 | 1 | Power Supply (includes the switcher and filter) |
| 2 | Q1261-60002 | 1 | Main Elelectronics Board (hp designjet copier cc800ps) |
| | Q1278-60002 | 1 | Main Elelectronics Board (hp designjet 815mfp and hp designjet scanner 4200) |
| 3 | Q1261-60011 | 1 | Driver Board |
| 4 | Q1261-60014 | 1 | Card Reader Assembly (hp designjet copier cc800ps) |
| | Q1261-60046 | 1 | Card Reader Assembly (hp designjet 815mfp and hp designjet scanner 4200) |
| 5 | Q1261-60032 | 1 | Smart Card (hp designjet copier cc800ps) |
| | Q1261-60045 | 1 | Smart Card (hp designjet 815mfp and hp designjet scanner 4200) |
| 6 | Q1261-60015 | 1 | Interface Board (hp designjet copier cc800ps) |
| | Q1278-60015 | 1 | Interface Board (hp designjet 815mfp and hp designjet scanner 4200) |

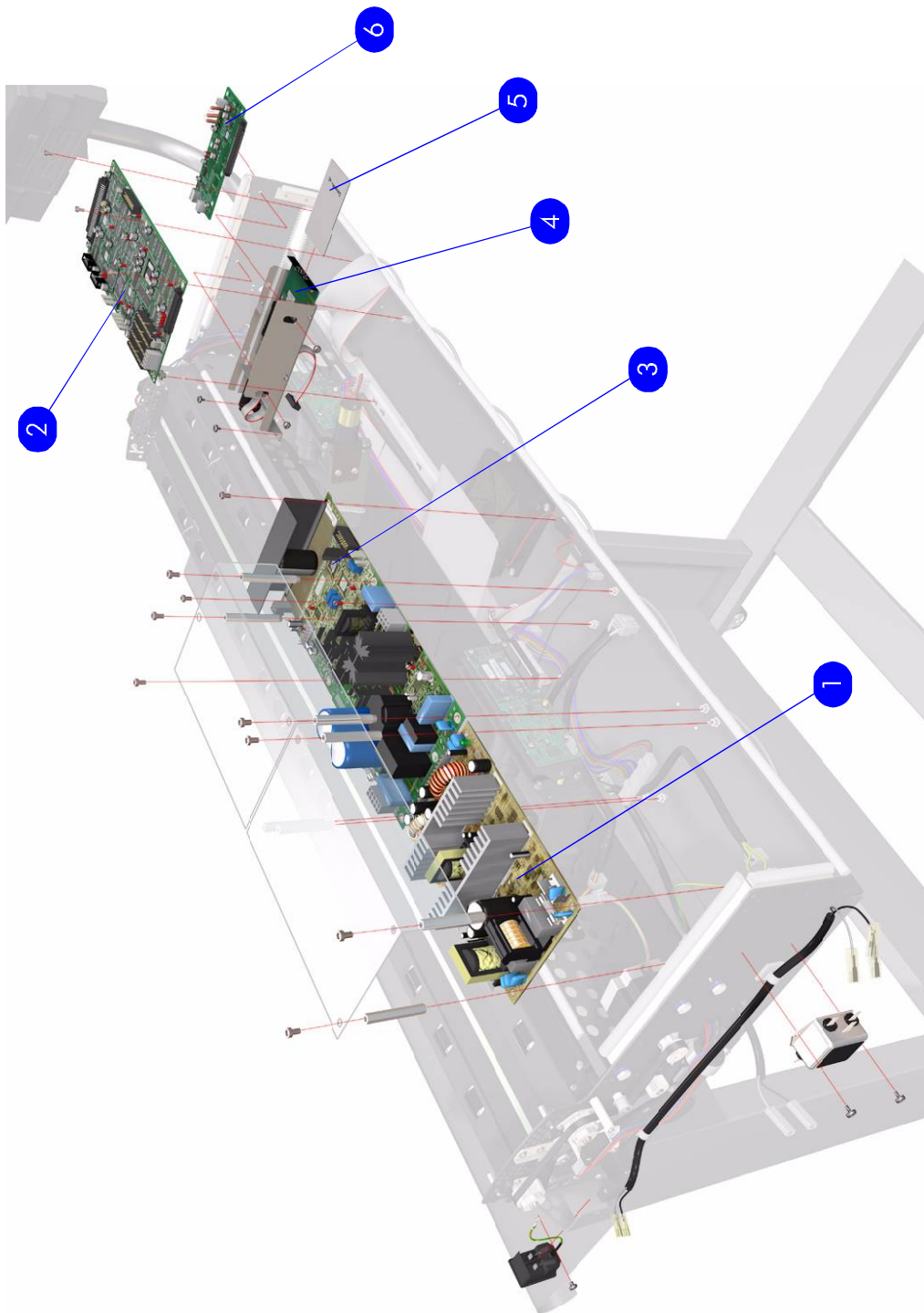


Figure 8: Electronic Boards

Sensors

| Sensors | | | |
|----------------------|----------------|----------|----------------------|
| Reference on Drawing | HP Part Number | Quantity | Description/Comments |
| 1 | Q1261-60017 | 2 | Media Sensor |
| 2 | Q1261-60021 | 2 | Thickness Sensor |
| 3 | Q1261-60012 | 1 | Lamp Sensor |

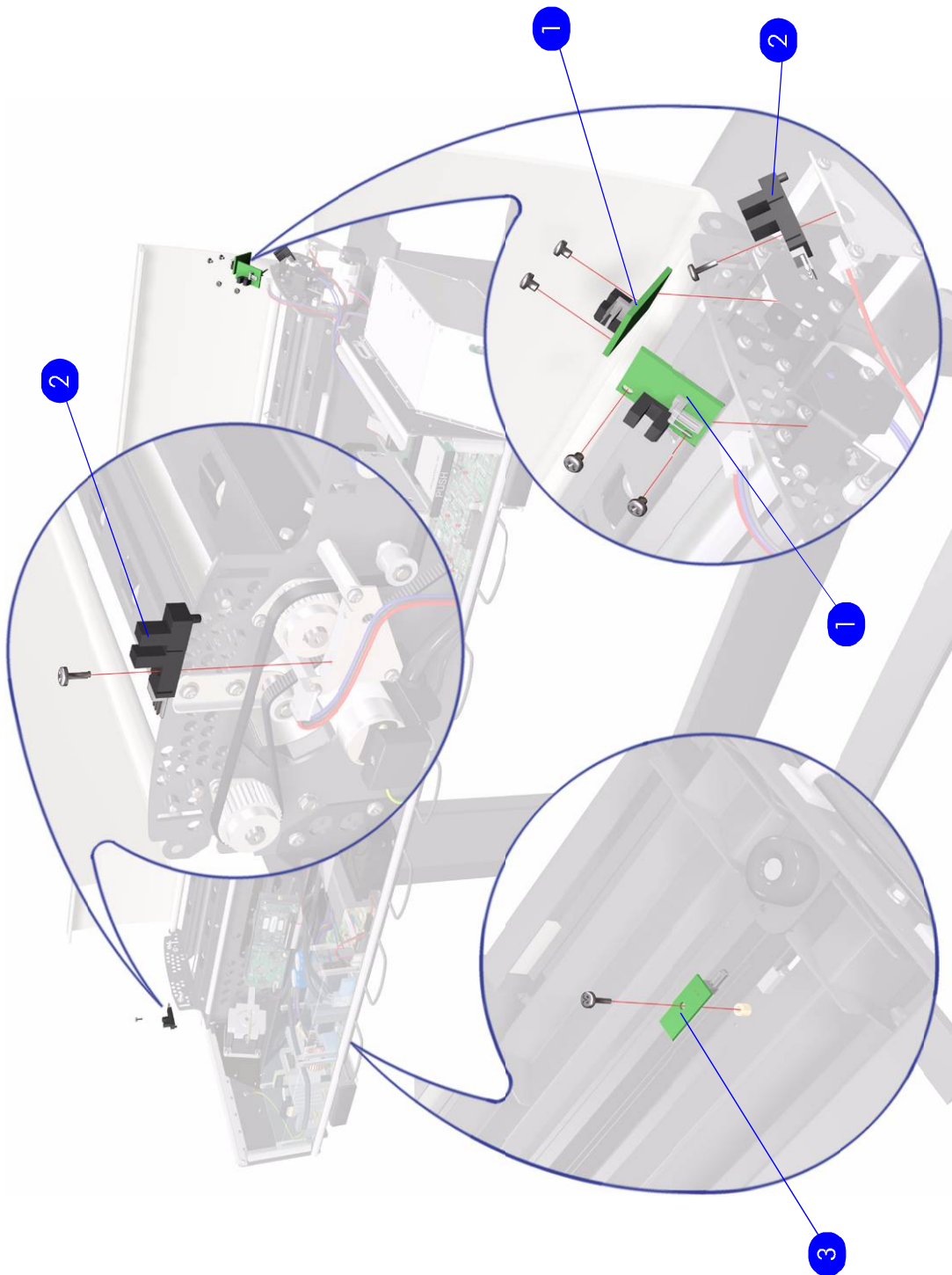


Figure 9: Sensors

Bottom Assemblies

| Bottom Assemblies | | | |
|----------------------|----------------|----------|--|
| Reference on Drawing | HP Part Number | Quantity | Description/Comments |
| 1 | Q1261-60023 | 1 | Mirror Chassis (hp designjet copier cc800ps) |
| | Q1278-60009 | 1 | Mirror Chassis (hp designjet 815mfp and hp designjet scanner 4200) |
| 2 | Q1261-60031 | 1 | Reflector Assembly (hp designjet copier cc800ps) |
| | Q1278-60011 | 1 | Reflector Assembly (hp designjet 815mfp and hp designjet scanner 4200) |
| 3 | Q1261-60008 | 1 | Stitching Wire |

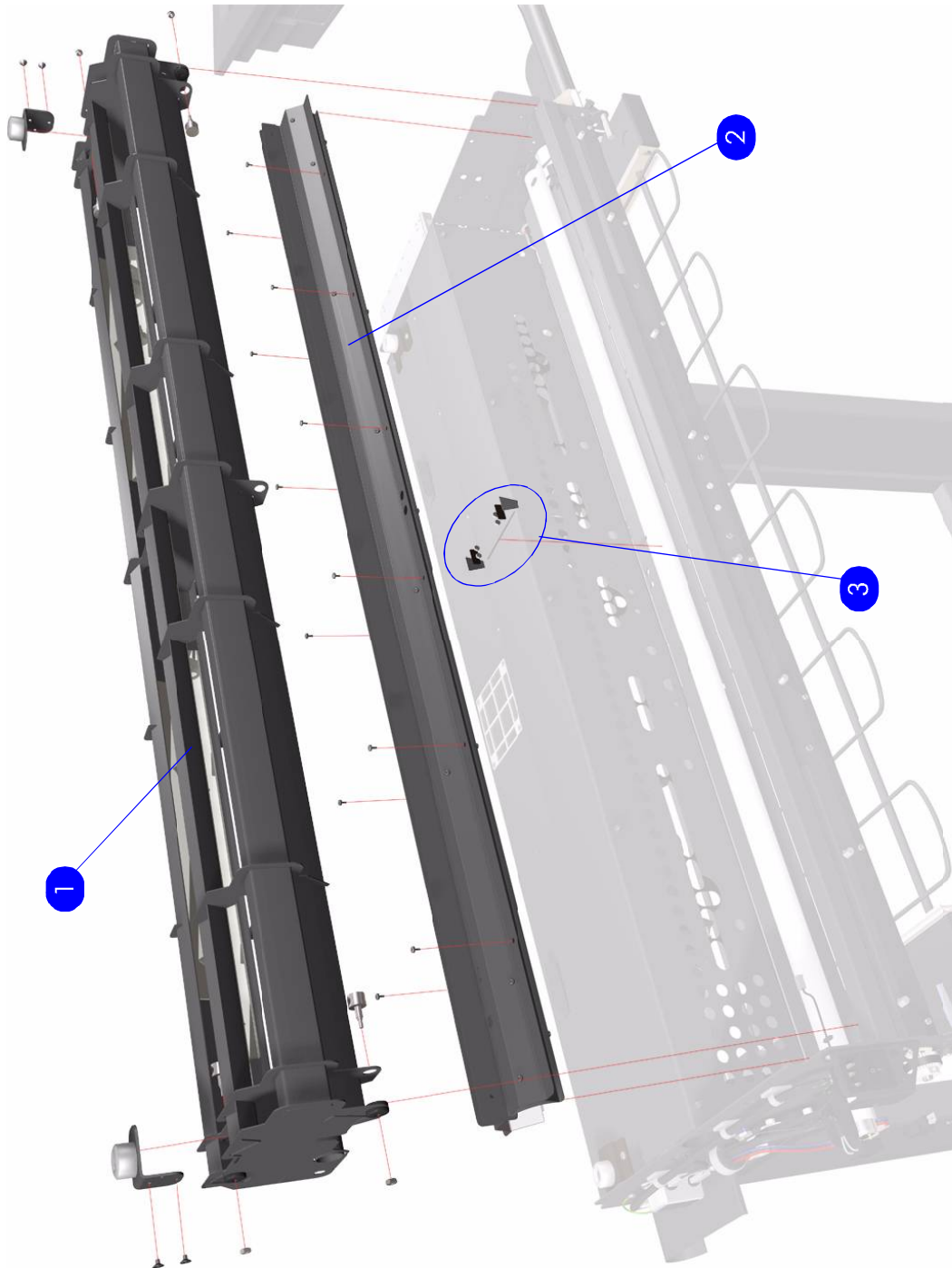


Figure 10: Bottom Assemblies

Miscellaneous Items

| Miscellaneous Items | | | |
|----------------------|----------------|----------|---|
| Reference on Drawing | HP Part Number | Quantity | Description/Comments |
| - | Q1278-60012 | 1 | Service Patterns (includes the focus pattern and the calibration sheet) |
| - | Q1278-60013 | 1 | Optical Pattern |
| - | Q1261-60044 | 1 | Stylus |