

---

## 3 Parts and diagrams

- [Order parts by authorized service providers](#)
- [How to use the parts lists and diagrams](#)
- [Assembly locations](#)
- [Covers](#)
- [Internal assemblies](#)
- [PCAs](#)
- [Scanner and document feeder \(ADF\) main assemblies](#)
- [Document feeder internal components](#)
- [Alphabetical parts list](#)
- [Numerical parts list](#)

# Order parts by authorized service providers

## Order replacement parts

**Table 3-1 Order parts, accessories, and supplies**

|  |  |
|--|--|
| Order supplies and paper                   | <a href="http://www.hp.com/go/suresupply">www.hp.com/go/suresupply</a> |
| Order genuine HP parts or accessories      | <a href="http://www.hp.com/buy/parts">www.hp.com/buy/parts</a>         |
| Order through service or support providers | Contact an HP-authorized service or support provider.                  |

## Related documentation and software

**Table 3-2 Related documentation and software**


| Item  | Description                          | Part number |
|---|--------------------------------------|-------------|
| <i>HP LaserJet Pro CM1410 Color MFP Series User Guide</i>                   | Product user guide.                  | CE861-90907 |
| <i>HP LaserJet Pro CM1410 Color MFP Series Service Manual</i> (this manual) | English service manual (this manual) | CE861-90939 |

## Supplies part numbers

**Table 3-3 Supplies part numbers**

| Item                         | Description            | Part number            |
|------------------------------|------------------------|------------------------|
| HP LaserJet print cartridges | Black                  | CE320A (new)           |
|                              |                        | CE320-67901 (exchange) |
|                              | Cyan                   | CE321A (new)           |
|                              |                        | CE321-67902 (exchange) |
|                              | Yellow                 | CE322A (new)           |
|                              |                        | CE322-67901 (exchange) |
| Magenta                      | CE323A (new)           |                        |
|                              | CE323-67901 (exchange) |                        |

## Service parts

 **NOTE:** The parts in the following table are not shown in the assembly illustrations in this chapter.

**Table 3-4 Service parts**


| Item     | Description | Part number |
|----------|-------------|-------------|
| HP jewel | HP logo     | 7121-8266   |

## Customer self repair parts

**Table 3-5 Customer replaceable units (CRU) kit part numbers**

| Item                       | Description  | Part number |
|----------------------------|--|-------------|
| Document-feeder input tray | Instructions, install Document feeder (ADF) input tray | CE861-90973 |
| Cassette                   | Instructions, install paper tray (cassette)            | CE861-90974 |

## Whole-unit replacement part numbers

 **NOTE:** Whole-unit replacement products include the formatter PCA.

**Table 3-6 Whole-unit replacement part numbers**

| Item                      | Description | Part number   |
|---------------------------|-------------|---|
| HP LaserJet Pro CM1415fn  | 110 V       | • CE861-67001 (North American Region, and Taiwan); New        |
|                           |             | • CE861-67006 (Brasil); New                                   |
|                           | 220 V       | • CE861-69002 (Europe, Middle East, and Africa); Exchange     |
|                           |             | • CE861-67003 (China, and Malaysia); New                      |
|                           |             | • CE861-67004 (Asian Pacific, and Latin America Region); New  |
| HP LaserJet Pro CM1415fnw | 110 V       | • CE861-67005 (Chile, and Argentina); New                     |
|                           |             | • CE862-67001 (North American Region, and Taiwan); New        |
|                           | 220 V       | • CE862-67006 (Brasil); New                                   |
|                           |             | • CE862-69002 (Europe, Middle East, and Africa); Exchange     |
|                           |             | • CE862-67003 (China, and Malaysia); New                      |
|                           |             | • CE862-67004 (Asian Pacific, and Latin American Region); New |
|                           |             | • CE862-67005 (Chile, and Argentina); New                     |

## How to use the parts lists and diagrams

---

△ **CAUTION:** Be sure to order the correct part. When looking for part numbers for electrical components, pay careful attention to the voltage that is listed. Doing so will make sure that the part number selected is for the correct model.

📄 **NOTE:** In this manual, the abbreviation “PCA” stands for “printed circuit-board assembly.” Components described as a PCA might consist of a single circuit board or a circuit board plus other parts, such as cables and sensors.

---

The figures in this chapter show the major subassemblies in the product and their component parts. A parts list table follows each exploded view assembly diagram. Each table lists the item number, the associated part number, and the description of each part. If a part is not listed in the table, then it is not a field replacement unit (FRU).

# Assembly locations

## Base product

Figure 3-1 Base product

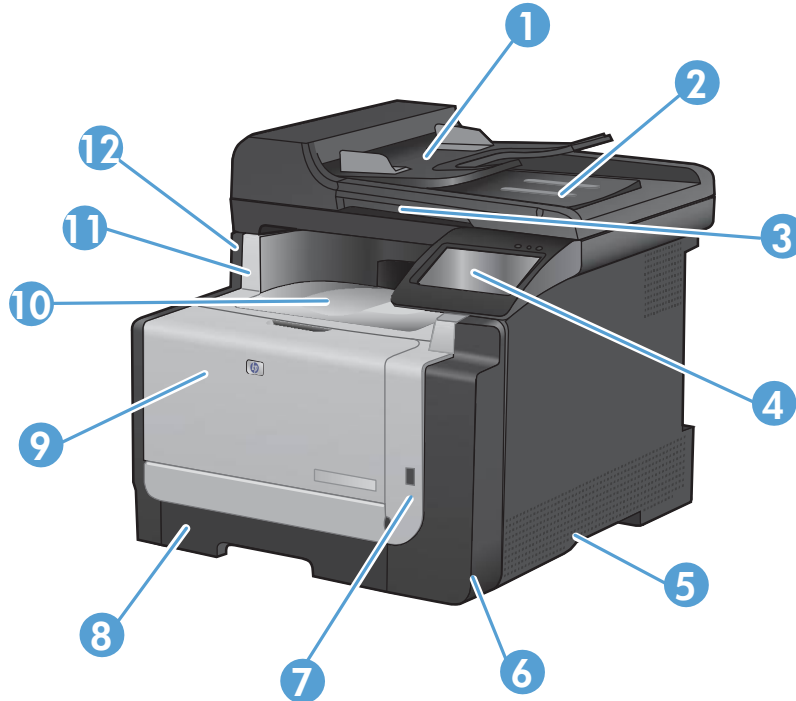
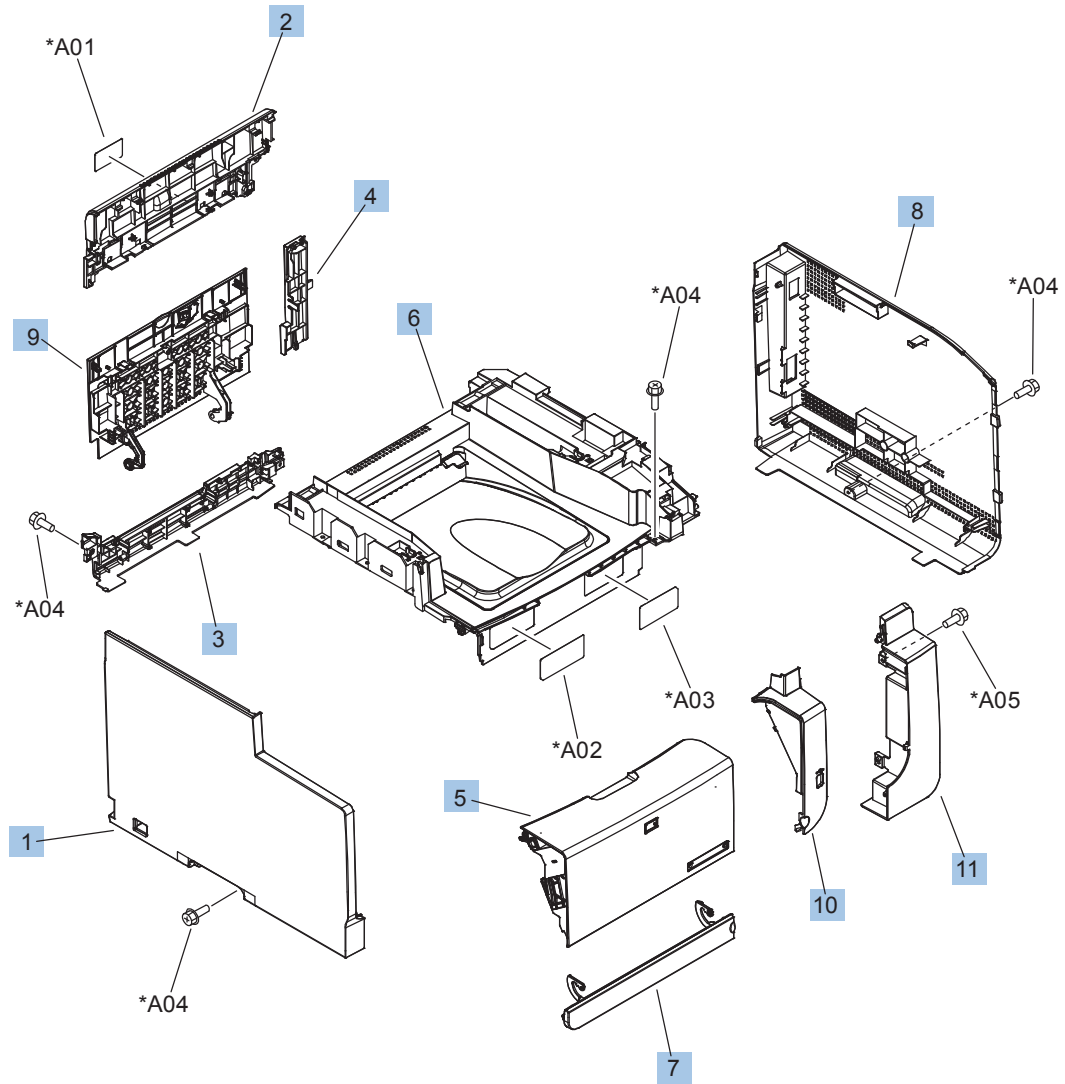


Table 3-7 Base product

| Item | Description                      | Item | Description         |
|------|----------------------------------|------|---------------------|
| 1    | Document feeder input tray       | 7    | Right-front cover-2 |
| 2    | Document feeder output bin       | 8    | Input tray (Tray 1) |
| 3    | Scanner lid                      | 9    | Front door          |
| 4    | Color touch screen control panel | 10   | Output bin          |
| 5    | Right cover                      | 11   | Top cover           |
| 6    | Right-front cover-1              | 12   | Left cover          |

# Covers

Figure 3-2 Covers, panels, and doors



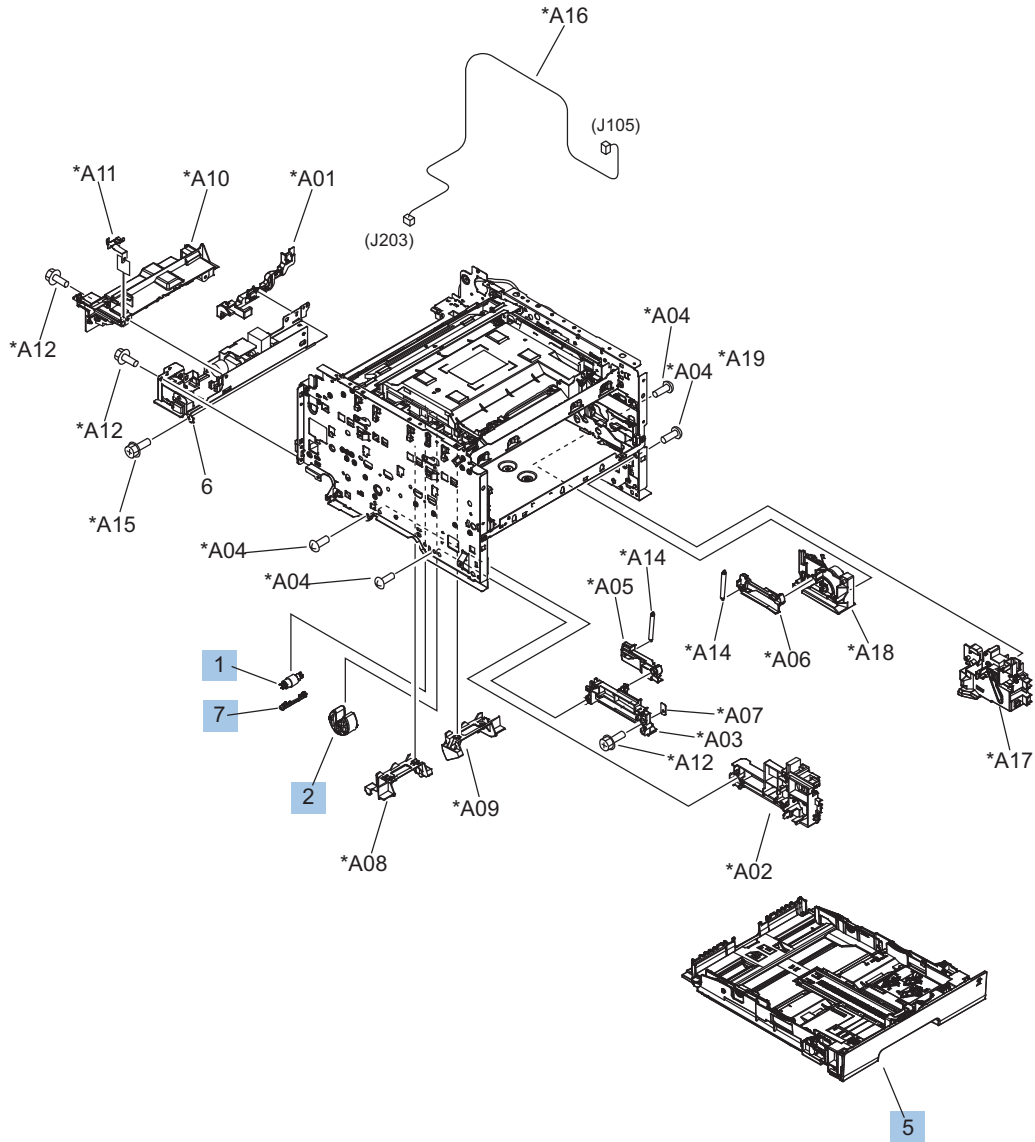
**Table 3-8 Covers, panels, and doors**

| Ref | Description                       | Part number    | Qty |
|-----|-----------------------------------|----------------|-----|
| 1   | Cover, left                       | RC1-0795-000CN | 1   |
| 2   | Cover, rear upper                 | RC3-0819-000CN | 1   |
| 3   | Cover, rear lower                 | RC3-0753-000CN | 1   |
| 4   | Cover, rear center                | RC3-0767-000CN | 1   |
| 5   | Door, front                       | RC3-0796-000CN | 1   |
| 6   | Cover, top assembly               | RM1-7715-000CN | 1   |
| 7   | Cover, priority slot (jam access) | RM3-0812-000CN | 1   |
| 8   | Cover, right                      | RC3-0794-000CN | 1   |
| 9   | Door, rear                        | RC3-0820-000CN | 1   |
| 10  | Cover, right-front 1              | RC3-0797-000CN | 1   |
| 11  | Cover, right-front 2              | RC3-0798-000CN | 1   |

# Internal assemblies

## Internal assemblies (1 of 4)

Figure 3-3 Internal assemblies (1 of 4)



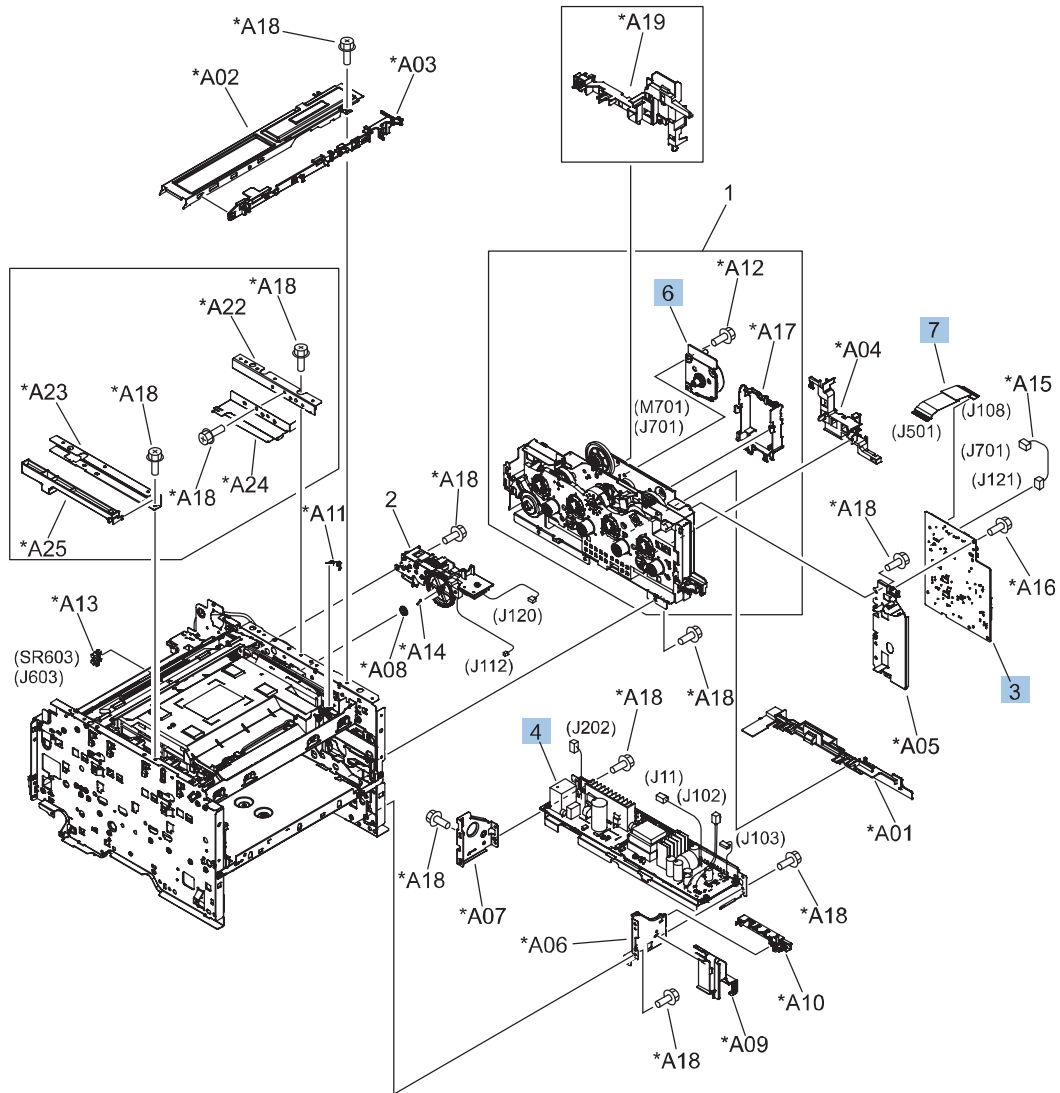


**Table 3-9 Internal assemblies (1 of 4)**

| Ref | Description                | Part number    | Qty |
|-----|----------------------------|----------------|-----|
| 1   | Separation roller assembly | RM1-4425-000CN | 1   |
| 2   | Pickup roller assembly     | RM1-4426-000CN | 1   |
| 5   | Cassette assembly          | RM1-7714-000CN | 1   |
| 7   | Cover, holder              | RC2-2014-000CN | 1   |

## Internal assemblies (2 of 4)

Figure 3-4 Internal assemblies (2 of 4)

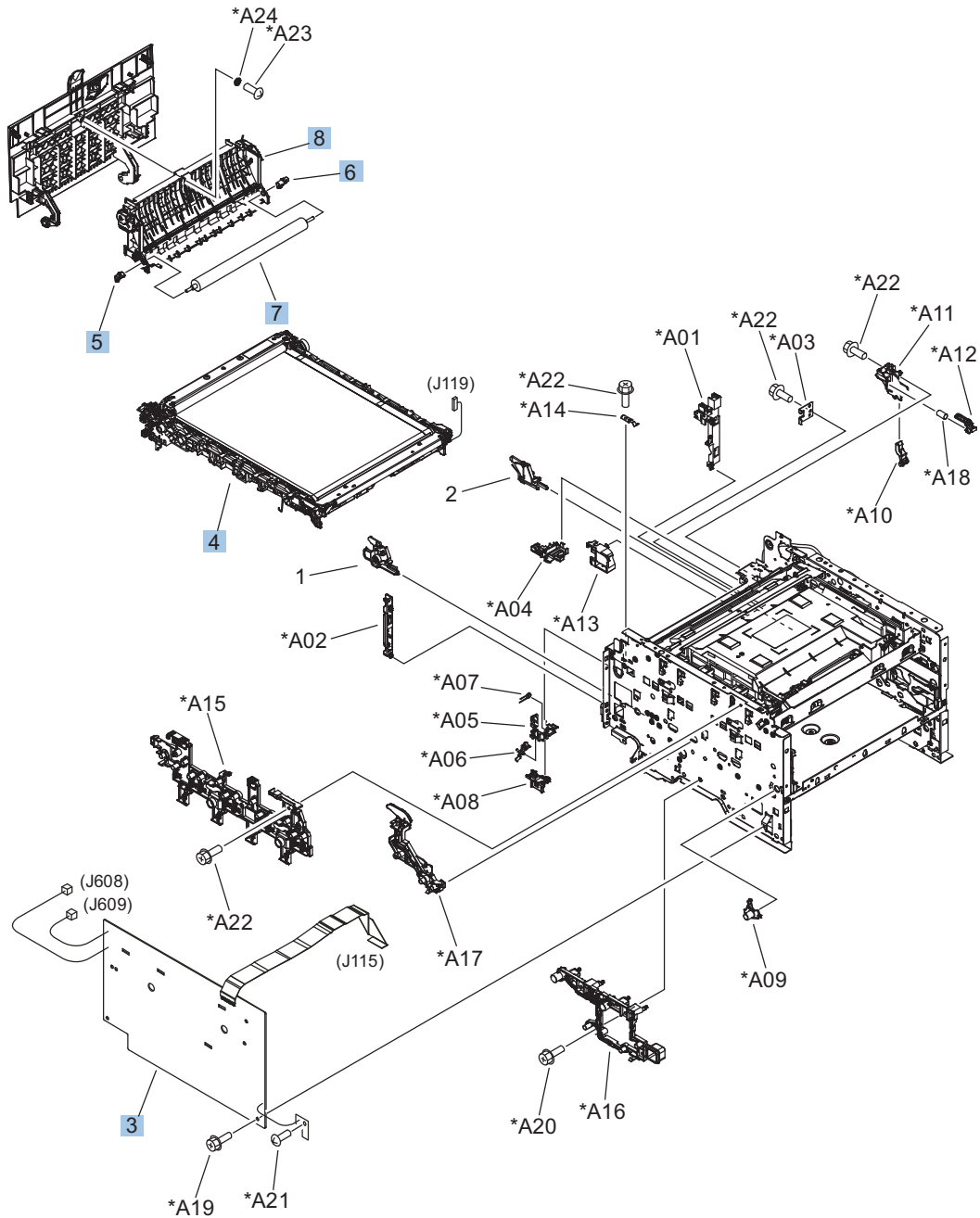


**Table 3-10 Internal assemblies (2 of 4)**

| Ref | Description                             | Part number    | Qty |
|-----|---|----------------|-----|
| 3   | DC controller assembly                  | RM1-7813-000CN | 1   |
| 4   | Low-voltage power supply (110 to 127 v) | RM1-7830-000CN | 1   |
| 4   | Low-voltage power supply (220 to 240 v) | RM1-7831-000CN | 1   |
| 6   | Motor, DC main                          | RL1-1834-000CN | 1   |
| 7   | Cable, flat (FFC)                       | RK2-1955-000CN | 1   |

## Internal assemblies (3 of 4)

Figure 3-5 Internal assemblies (3 of 4)

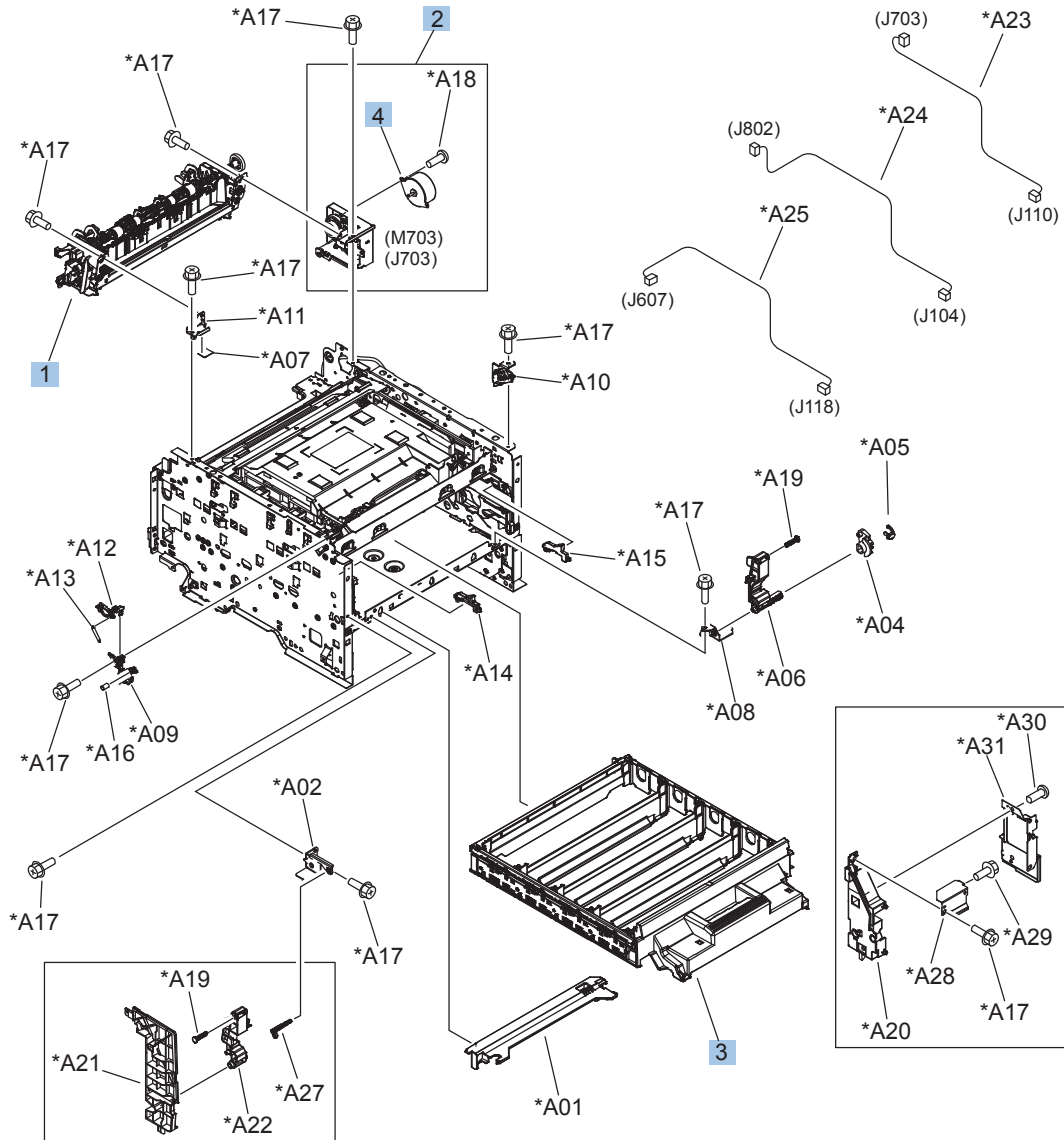


**Table 3-11 Internal assemblies (3 of 4)**

| Ref | Description                               | Part number    | Qty |
|-----|---|----------------|-----|
| 3   | High-voltage power supply                 | RM1-7090-000CN | 1   |
| 4   | Intermediate transfer belt (ITB) assembly | RM1-7866-000CN | 1   |
| 5   | Bushing (transfer roller)                 | RC2-2111-000CN | 1   |
| 6   | Bushing (transfer roller)                 | RC2-2112-000CN | 1   |
| 7   | Roller, transfer                          | RM1-4445-000CN | 1   |
| 8   | Paper feed guide assembly                 | RM1-4448-000CN | 1   |

## Internal assemblies (4 of 4)

Figure 3-6 Internal assemblies (4 of 4)

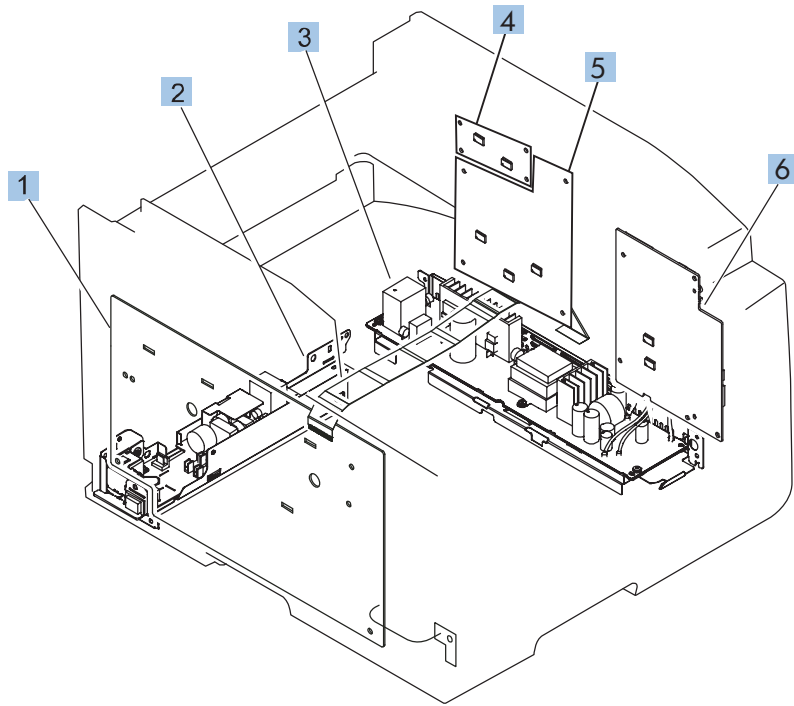


**Table 3-12 Internal assemblies (4 of 4)**

| Ref | Description                   | Part number    | Qty |
|-----|-------------------------------|----------------|-----|
| 1   | Fuser assembly (110 to 127 v) | RM1-4430-000CN | 1   |
| 1   | Fuser assembly (220 to 240 v) | RM1-4431-000CN | 1   |
| 2   | Fuser drive assembly          | RM1-4927-000CN | 1   |
| 3   | Cartridge tray assembly       | RM1-7853-000CN | 1   |
| 4   | Motor, stepping DC fuser      | RK2-1872-000CN | 1   |

# PCAs

Figure 3-7 PCAs



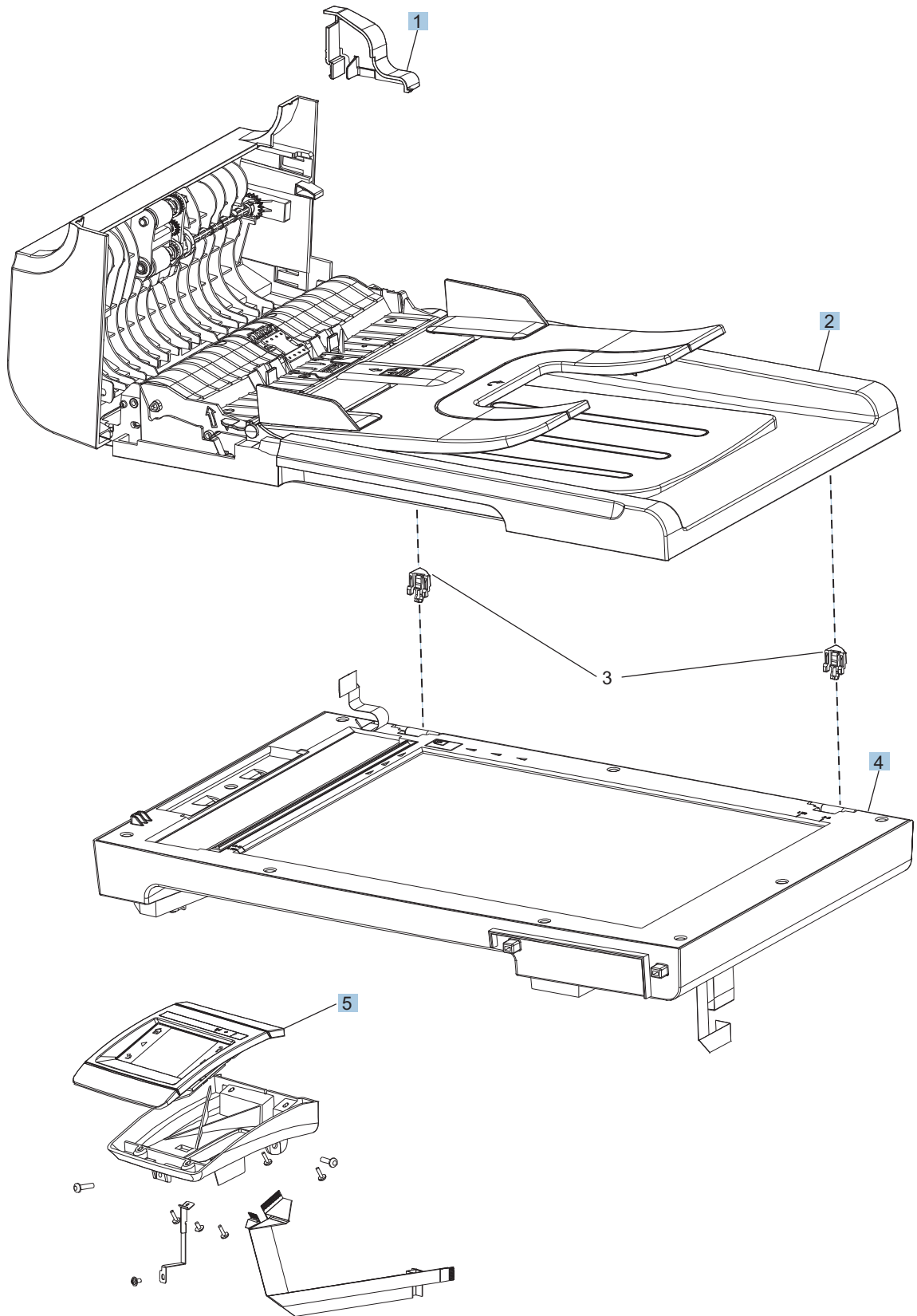


**Table 3-13 PCAs**

| Ref       | Description                             | Part number    | Qty |
|-----------|---|----------------|-----|
| 1         | High-voltage power supply               | RM1-7090-000CN | 1   |
| 2         | Fuser power supply (110 to 127 v)       | RM1-7082-000CN | 1   |
| 2         | Fuser power supply (220 to 240 v)       | RM1-7083-000CN | 1   |
| 3         | Low-voltage power supply (110 to 127 v) | RM1-7830-000CN | 1   |
| 3         | Low-voltage power supply (220 to 240 v) | RM1-7831-000CN | 1   |
| 4         | Fax PCA, DAA EU                         | CE683-67901    | 1   |
| 4         | Fax PCA, DAA AA                         | CE682-67901    | 1   |
| 5         | Formatter PCA                           | CE690-67901    | 1   |
| 6         | DC controller assembly                  | RM1-7813-000CN | 1   |
| Not shown | Wireless PCA                            | 1150-7938      | 1   |
| Not shown | USB PCA                                 | CF030-67901    | 1   |

# Scanner and document feeder (ADF) main assemblies

Figure 3-8 Scanner and document feeder main assemblies

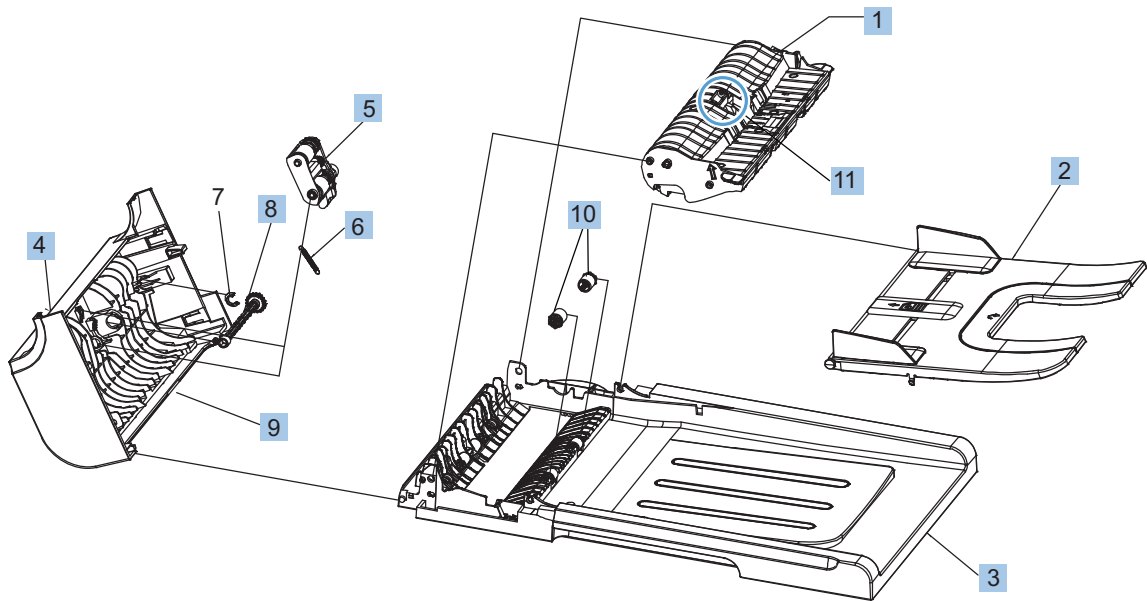


**Table 3-14 Scanner and document feeder main assemblies**

| Ref | Description                       | Part number | Qty |
|-----|-----------------------------------|-------------|-----|
| 1   | Document feeder (ADF) motor cover | CE538-40015 | 1   |
| 2   | Document feeder (ADF) assembly    | CE538-60121 | 1   |
| 4   | Scanner assembly                  | CE861-60110 | 1   |
| 5   | Control-panel PCA assembly        | CE862-60101 | 1   |

# Document feeder internal components

Figure 3-9 Document feeder assembly parts



**Table 3-15 Document feeder assembly parts**

| Ref | Description  | Part number | Qty |
|-----|--|-------------|-----|
| 1   | Document feeder (ADF) core assembly                    | CE538-60122 | 1   |
| 2   | Document feeder (ADF) input tray                       | CE538-60127 | 1   |
| 3   | Document feeder (ADF) base                             | CE538-60126 | 1   |
| 4   | Document feeder (ADF) cover, outer                     | CE538-40009 | 1   |
| 5   | Document feeder (ADF) pick arm assembly                | CE538-60137 | 1   |
| 6   | Spring, document feeder (ADF) extension (pre-pick)     | Q7400-00011 | 1   |
| 8   | Shaft, document feeder (ADF) pick extension            | Q7400-40047 | 1   |
| 9   | Document feeder (ADF) cover, inner                     | CE538-40008 | 1   |
| 10  | Roller assembly, document feeder (ADF) post-scan pinch | Q7400-60153 | 2   |
| 11  | Document feeder (ADF) separation pad assembly          | Q7400-60159 | 1   |

# Alphabetical parts list

**Table 3-16 Alphabetical parts list**

| Description                         | Part number    | Table and page  |
|-------------------------------------|----------------|---|
| Bushing (transfer roller)           | RC2-2111-000CN | <a href="#">Internal assemblies (3 of 4) on page 169</a>                |
| Bushing (transfer roller)           | RC2-2112-000CN | <a href="#">Internal assemblies (3 of 4) on page 169</a>                |
| Cable, flat (FFC)                   | RK2-1955-000CN | <a href="#">Internal assemblies (2 of 4) on page 167</a>                |
| Cartridge tray assembly             | RM1-7853-000CN | <a href="#">Internal assemblies (4 of 4) on page 171</a>                |
| Cassette assembly                   | RM1-7714-000CN | <a href="#">Internal assemblies (1 of 4) on page 165</a>                |
| Control-panel PCA assembly          | CE862-60101    | <a href="#">Scanner and document feeder main assemblies on page 175</a> |
| Cover, holder                       | RC2-2014-000CN | <a href="#">Internal assemblies (1 of 4) on page 165</a>                |
| Cover, left                         | RC1-0795-000CN | <a href="#">Covers, panels, and doors on page 163</a>                   |
| Cover, priority slot (jam access)   | RM3-0812-000CN | <a href="#">Covers, panels, and doors on page 163</a>                   |
| Cover, rear center                  | RC3-0767-000CN | <a href="#">Covers, panels, and doors on page 163</a>                   |
| Cover, rear lower                   | RC3-0753-000CN | <a href="#">Covers, panels, and doors on page 163</a>                   |
| Cover, rear upper                   | RC3-0819-000CN | <a href="#">Covers, panels, and doors on page 163</a>                   |
| Cover, right                        | RC3-0794-000CN | <a href="#">Covers, panels, and doors on page 163</a>                   |
| Cover, right-front 1                | RC3-0797-000CN | <a href="#">Covers, panels, and doors on page 163</a>                   |
| Cover, right-front 2                | RC3-0798-000CN | <a href="#">Covers, panels, and doors on page 163</a>                   |
| Cover, top assembly                 | RM1-7715-000CN | <a href="#">Covers, panels, and doors on page 163</a>                   |
| DC controller assembly              | RM1-7813-000CN | <a href="#">Internal assemblies (2 of 4) on page 167</a>                |
| DC controller assembly              | RM1-7813-000CN | <a href="#">PCAs on page 173</a>  |
| Document feeder (ADF) assembly      | CE538-60121    | <a href="#">Scanner and document feeder main assemblies on page 175</a> |
| Document feeder (ADF) base          | CE538-60126    | <a href="#">Document feeder assembly parts on page 177</a>              |
| Document feeder (ADF) core assembly | CE538-60122    | <a href="#">Document feeder assembly parts on page 177</a>              |

**Table 3-16 Alphabetical parts list (continued)**

| Description                                   | Part number    | Table and page  |
|---|----------------|---|
| Document feeder (ADF) cover, inner            | CE538-40008    | <a href="#">Document feeder assembly parts on page 177</a>              |
| Document feeder (ADF) cover, outer            | CE538-40009    | <a href="#">Document feeder assembly parts on page 177</a>              |
| Document feeder (ADF) input tray              | CE538-60127    | <a href="#">Document feeder assembly parts on page 177</a>              |
| Document feeder (ADF) motor cover             | CE538-40015    | <a href="#">Scanner and document feeder main assemblies on page 175</a> |
| Document feeder (ADF) pick arm assembly       | CE538-60137    | <a href="#">Document feeder assembly parts on page 177</a>              |
| Document feeder (ADF) separation pad assembly | Q7400-60159    | <a href="#">Document feeder assembly parts on page 177</a>              |
| Door, front                                   | RC3-0796-000CN | <a href="#">Covers, panels, and doors on page 163</a>                   |
| Door, rear                                    | RC3-0820-000CN | <a href="#">Covers, panels, and doors on page 163</a>                   |
| Fax PCA, DAA AA                               | CE682-67901    | <a href="#">PCAs on page 173</a>  |
| Fax PCA, DAA EU                               | CE683-67901    | <a href="#">PCAs on page 173</a>  |
| Formatter PCA                                 | CE690-67901    | <a href="#">PCAs on page 173</a>  |
| Fuser assembly (110 to 127 v)                 | RM1-4430-000CN | <a href="#">Internal assemblies (4 of 4) on page 171</a>                |
| Fuser assembly (220 to 240 v)                 | RM1-4431-000CN | <a href="#">Internal assemblies (4 of 4) on page 171</a>                |
| Fuser drive assembly                          | RM1-4927-000CN | <a href="#">Internal assemblies (4 of 4) on page 171</a>                |
| Fuser power supply (110 to 127 v)             | RM1-7082-000CN | <a href="#">PCAs on page 173</a>  |
| Fuser power supply (220 to 240 v)             | RM1-7083-000CN | <a href="#">PCAs on page 173</a>  |
| High-voltage power supply                     | RM1-7090-000CN | <a href="#">Internal assemblies (3 of 4) on page 169</a>                |
| High-voltage power supply                     | RM1-7090-000CN | <a href="#">PCAs on page 173</a>  |
| Intermediate transfer belt (ITB) assembly     | RM1-7866-000CN | <a href="#">Internal assemblies (3 of 4) on page 169</a>                |
| Low-voltage power supply (110 to 127 v)       | RM1-7830-000CN | <a href="#">Internal assemblies (2 of 4) on page 167</a>                |
| Low-voltage power supply (110 to 127 v)       | RM1-7830-000CN | <a href="#">PCAs on page 173</a>  |
| Low-voltage power supply (220 to 240 v)       | RM1-7831-000CN | <a href="#">Internal assemblies (2 of 4) on page 167</a>                |
| Low-voltage power supply (220 to 240 v)       | RM1-7831-000CN | <a href="#">PCAs on page 173</a>  |
| Motor, DC main                                | RL1-1834-000CN | <a href="#">Internal assemblies (2 of 4) on page 167</a>                |
| Motor, stepping DC fuser                      | RK2-1872-000CN | <a href="#">Internal assemblies (4 of 4) on page 171</a>                |

**Table 3-16 Alphabetical parts list (continued)**

| Description  | Part number    | Table and page  |
|--|----------------|---|
| Paper feed guide assembly                              | RM1-4448-000CN | <a href="#">Internal assemblies (3 of 4) on page 169</a>                |
| Pickup roller assembly                                 | RM1-4426-000CN | <a href="#">Internal assemblies (1 of 4) on page 165</a>                |
| Roller assembly, document feeder (ADF) post-scan pinch | Q7400-60153    | <a href="#">Document feeder assembly parts on page 177</a>              |
| Roller, transfer                                       | RM1-4445-000CN | <a href="#">Internal assemblies (3 of 4) on page 169</a>                |
| Scanner assembly                                       | CE861-60110    | <a href="#">Scanner and document feeder main assemblies on page 175</a> |
| Separation roller assembly                             | RM1-4425-000CN | <a href="#">Internal assemblies (1 of 4) on page 165</a>                |
| Shaft, document feeder (ADF) pick extension            | Q7400-40047    | <a href="#">Document feeder assembly parts on page 177</a>              |
| Spring, document feeder (ADF) extension (pre-pick)     | Q7400-00011    | <a href="#">Document feeder assembly parts on page 177</a>              |
| USB PCA  | CF030-67901    | <a href="#">PCAs on page 173</a>  |
| Wireless PCA   | 1150-7938      | <a href="#">PCAs on page 173</a>  |



# Numerical parts list

**Table 3-17 Numerical parts list**

| Part number    | Description  | Table and page  |
|----------------|--|---|
| 1150-7938      | Wireless PCA   | <a href="#">PCAs on page 173</a>  |
| CE538-40008    | Document feeder (ADF) cover, inner                     | <a href="#">Document feeder assembly parts on page 177</a>              |
| CE538-40009    | Document feeder (ADF) cover, outer                     | <a href="#">Document feeder assembly parts on page 177</a>              |
| CE538-40015    | Document feeder (ADF) motor cover                      | <a href="#">Scanner and document feeder main assemblies on page 175</a> |
| CE538-60121    | Document feeder (ADF) assembly                         | <a href="#">Scanner and document feeder main assemblies on page 175</a> |
| CE538-60122    | Document feeder (ADF) core assembly                    | <a href="#">Document feeder assembly parts on page 177</a>              |
| CE538-60126    | Document feeder (ADF) base                             | <a href="#">Document feeder assembly parts on page 177</a>              |
| CE538-60127    | Document feeder (ADF) input tray                       | <a href="#">Document feeder assembly parts on page 177</a>              |
| CE538-60137    | Document feeder (ADF) pick arm assembly                | <a href="#">Document feeder assembly parts on page 177</a>              |
| CE682-67901    | Fax PCA, DAA AA  | <a href="#">PCAs on page 173</a>  |
| CE683-67901    | Fax PCA, DAA EU  | <a href="#">PCAs on page 173</a>  |
| CE690-67901    | Formatter PCA  | <a href="#">PCAs on page 173</a>  |
| CE861-60110    | Scanner assembly                                       | <a href="#">Scanner and document feeder main assemblies on page 175</a> |
| CE862-60101    | Control-panel PCA assembly                             | <a href="#">Scanner and document feeder main assemblies on page 175</a> |
| CF030-67901    | USB PCA  | <a href="#">PCAs on page 173</a>  |
| Q7400-00011    | Spring, document feeder (ADF) extension (pre-pick)     | <a href="#">Document feeder assembly parts on page 177</a>              |
| Q7400-40047    | Shaft, document feeder (ADF) pick extension            | <a href="#">Document feeder assembly parts on page 177</a>              |
| Q7400-60153    | Roller assembly, document feeder (ADF) post-scan pinch | <a href="#">Document feeder assembly parts on page 177</a>              |
| Q7400-60159    | Document feeder (ADF) separation pad assembly          | <a href="#">Document feeder assembly parts on page 177</a>              |
| RC1-0795-000CN | Cover, left  | <a href="#">Covers, panels, and doors on page 163</a>                   |
| RC2-2014-000CN | Cover, holder  | <a href="#">Internal assemblies (1 of 4) on page 165</a>                |
| RC2-2111-000CN | Bushing (transfer roller)                              | <a href="#">Internal assemblies (3 of 4) on page 169</a>                |

**Table 3-17 Numerical parts list (continued)**

| Part number    | Description                       | Table and page   |
|----------------|-----------------------------------|--|
| RC2-2112-000CN | Bushing (transfer roller)         | <a href="#">Internal assemblies (3 of 4) on page 169</a> |
| RC3-0753-000CN | Cover, rear lower                 | <a href="#">Covers, panels, and doors on page 163</a>    |
| RC3-0767-000CN | Cover, rear center                | <a href="#">Covers, panels, and doors on page 163</a>    |
| RC3-0794-000CN | Cover, right                      | <a href="#">Covers, panels, and doors on page 163</a>    |
| RC3-0796-000CN | Door, front                       | <a href="#">Covers, panels, and doors on page 163</a>    |
| RC3-0797-000CN | Cover, right-front 1              | <a href="#">Covers, panels, and doors on page 163</a>    |
| RC3-0798-000CN | Cover, right-front 2              | <a href="#">Covers, panels, and doors on page 163</a>    |
| RC3-0819-000CN | Cover, rear upper                 | <a href="#">Covers, panels, and doors on page 163</a>    |
| RC3-0820-000CN | Door, rear                        | <a href="#">Covers, panels, and doors on page 163</a>    |
| RK2-1872-000CN | Motor, stepping DC fuser          | <a href="#">Internal assemblies (4 of 4) on page 171</a> |
| RK2-1955-000CN | Cable, flat (FFC)                 | <a href="#">Internal assemblies (2 of 4) on page 167</a> |
| RL1-1834-000CN | Motor, DC main                    | <a href="#">Internal assemblies (2 of 4) on page 167</a> |
| RM1-4425-000CN | Separation roller assembly        | <a href="#">Internal assemblies (1 of 4) on page 165</a> |
| RM1-4426-000CN | Pickup roller assembly            | <a href="#">Internal assemblies (1 of 4) on page 165</a> |
| RM1-4430-000CN | Fuser assembly (110 to 127 v)     | <a href="#">Internal assemblies (4 of 4) on page 171</a> |
| RM1-4431-000CN | Fuser assembly (220 to 240 v)     | <a href="#">Internal assemblies (4 of 4) on page 171</a> |
| RM1-4445-000CN | Roller, transfer                  | <a href="#">Internal assemblies (3 of 4) on page 169</a> |
| RM1-4448-000CN | Paper feed guide assembly         | <a href="#">Internal assemblies (3 of 4) on page 169</a> |
| RM1-4927-000CN | Fuser drive assembly              | <a href="#">Internal assemblies (4 of 4) on page 171</a> |
| RM1-7082-000CN | Fuser power supply (110 to 127 v) | <a href="#">PCAs on page 173</a>                         |
| RM1-7083-000CN | Fuser power supply (220 to 240 v) | <a href="#">PCAs on page 173</a>                         |
| RM1-7090-000CN | High-voltage power supply         | <a href="#">Internal assemblies (3 of 4) on page 169</a> |
| RM1-7090-000CN | High-voltage power supply         | <a href="#">PCAs on page 173</a>                         |

**Table 3-17 Numerical parts list (continued)**

| <b>Part number</b> | <b>Description</b>                        | <b>Table and page</b>                                    |
|--------------------|---|--|
| RM1-7714-000CN     | Cassette assembly                         | <a href="#">Internal assemblies (1 of 4) on page 165</a> |
| RM1-7715-000CN     | Cover, top assembly                       | <a href="#">Covers, panels, and doors on page 163</a>    |
| RM1-7813-000CN     | DC controller assembly                    | <a href="#">Internal assemblies (2 of 4) on page 167</a> |
| RM1-7813-000CN     | DC controller assembly                    | <a href="#">PCAs on page 173</a>                         |
| RM1-7830-000CN     | Low-voltage power supply (110 to 127 v)   | <a href="#">Internal assemblies (2 of 4) on page 167</a> |
| RM1-7830-000CN     | Low-voltage power supply (110 to 127 v)   | <a href="#">PCAs on page 173</a>                         |
| RM1-7831-000CN     | Low-voltage power supply (220 to 240 v)   | <a href="#">Internal assemblies (2 of 4) on page 167</a> |
| RM1-7831-000CN     | Low-voltage power supply (220 to 240 v)   | <a href="#">PCAs on page 173</a>                         |
| RM1-7853-000CN     | Cartridge tray assembly                   | <a href="#">Internal assemblies (4 of 4) on page 171</a> |
| RM1-7866-000CN     | Intermediate transfer belt (ITB) assembly | <a href="#">Internal assemblies (3 of 4) on page 169</a> |
| RM3-0812-000CN     | Cover, priority slot (jam access)         | <a href="#">Covers, panels, and doors on page 163</a>    |